



PROFILE HYDRO- PHOBING

We add value to your surface... even to the tiny surface of a profile!

SHERWIN-WILLIAMS

EASY PROCESSING

- + Two different systems for application via different systems (vacuum coater, disc, Landwermann system) available
- + Low set-up costs ("plug & play")
- + High running stability
- + No clogging of the filter
- + Easy-to-clean

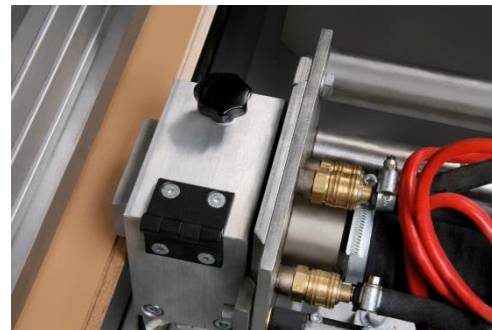


TRANSFERDISC

by Schiele Maschinenbau GmbH

TECHNICAL PROPERTIES

- + Highest water resistance of the (completely coated) profile even against standing water, depending on system and profile up to 24h
- + High chemical resistance

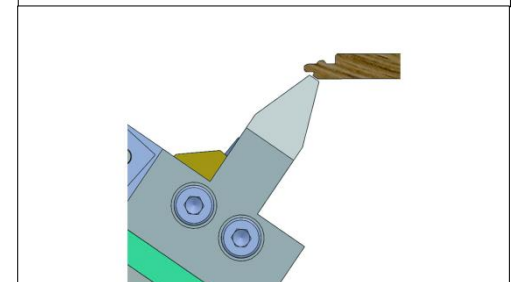
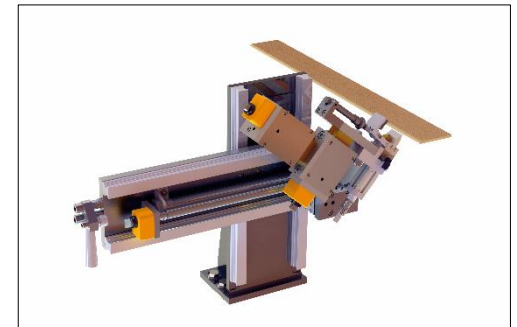


VACUMAT®

by Schiele Maschinenbau GmbH

ADDED VALUE

- + Eliminates today's biggest disadvantage of flooring categories based on MDF-/ HDF substrates which is the poor water-resistance and protects the substrate effectively against water ingress and swelling



Edge impregnation unit KA4

Landwermann
TECHNIK GMBH